

Dry Vacuum Pump DSV-2

Feature:

Patent Scroll Technology

100% Oil-free

Maintenance free

Ultimate Vacuum 0.05mbar

Applications

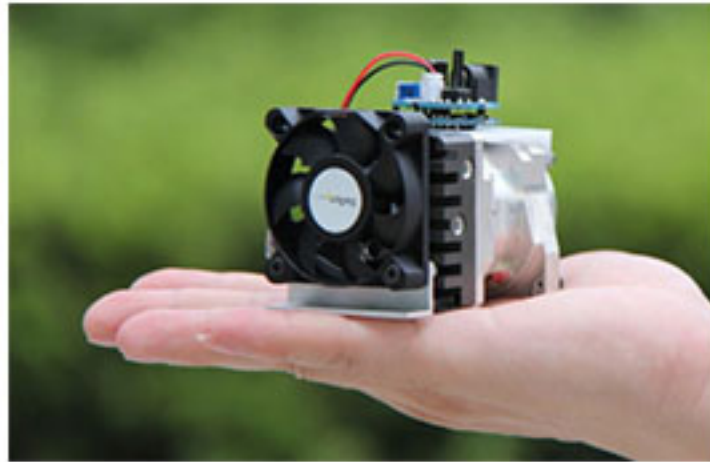
Analytical instrumentation, laboratories,
practically in all areas in which clean
vacuum is needed

backing pump for turbo pumps,

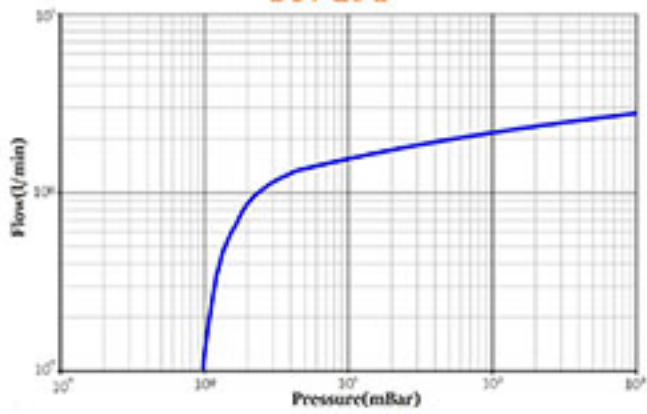


Model	DSV-E0-2	DSV-E1-2
Pumping Speed	2L/min	2L/min
Ultimate Pressure	1mbar(100pa)	0.1mbar(10pa)
Motor Power	6W	6W
Motor Type	Brushless DC Motor	Brushless DC Motor
DC Voltage	12VDC	12VDC
AC Voltage (with adapter)	100-240VAC	100-240VAC
Maximum Speed	3500RPM	3500RPM
Water Vapor Capacity	Can pump liquid	Can pump liquid
Max. Inlet Pressure	1mbar to 1.5bar	1mbar to 1.5bar
Max.Outlet Pressure	0.6barg	0.6barg
Noise Level	45dB(A)	45dB(A)
Weight(without cooling fan)	0.25kg	0.25kg
Weight(with cooling fan)	0.37kg	0.37kg
Dimensions(with cooling fan)	95*50*77mm	95*50*77mm
Inlet/Outlet Connection	M5	M5
Cooling System	Air-cooled	Air-cooled
Ambient Temperature	-20C° to 40C°	-20C° to 40C°

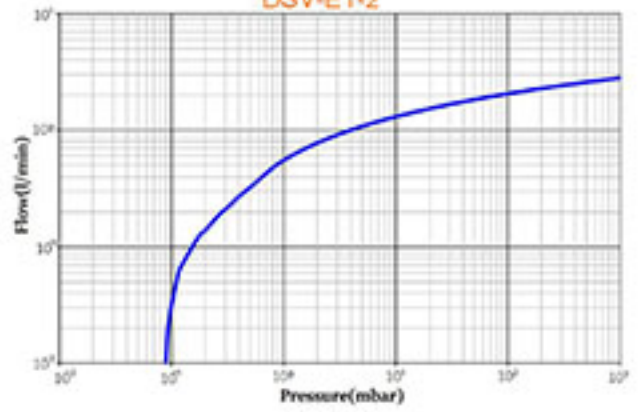
Dry Vacuum Pump DSV-2



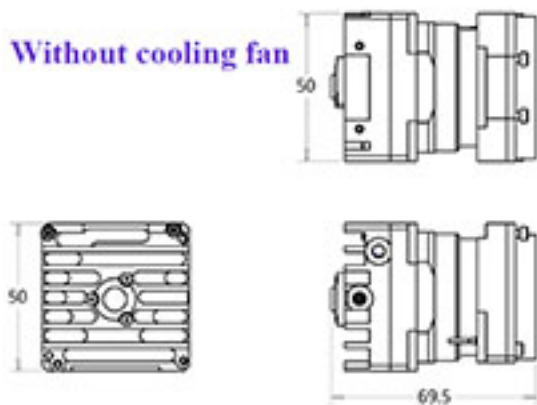
DSV-E0-2



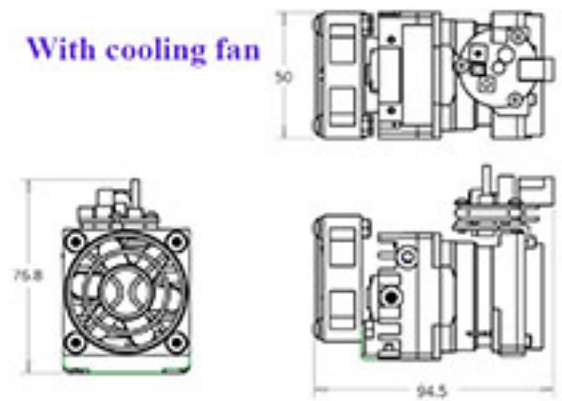
DSV-E1-2



Without cooling fan



With cooling fan



Dry Vacuum Pump

Feature:

Patent Scroll Technology
100% Oil-free
Maintenance free
Ultimate Vacuum 0.05mbar

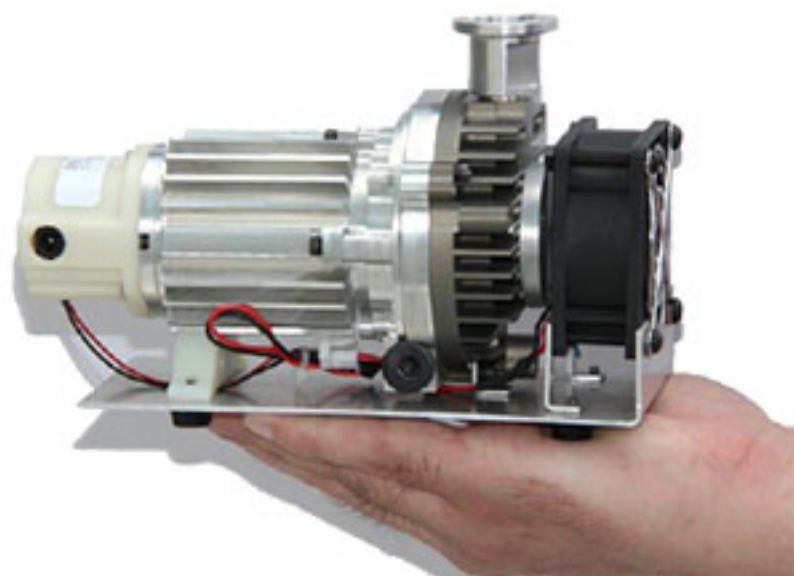
Applications

Analytical instrumentation, laboratories
backing pump for turbo pumps
practically in all areas in which
clean vacuum is needed

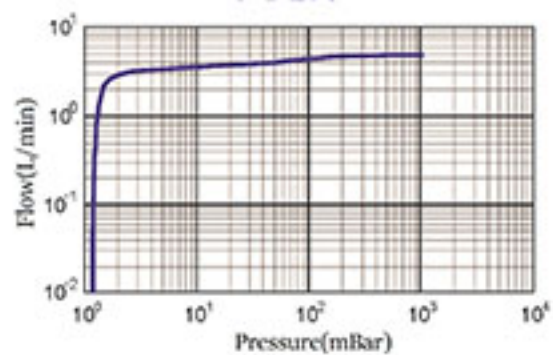


Model	DSV-E0-5	DSV-E1-5
Pumping Speed	5L/min	5L/min
Ultimate Pressure	1mbar(100pa)	0.1mbar(10pa)
Motor Power	20W	20W
Motor Type	Brushless DC Motor	Brushless DC Motor
DC Voltage	12VDC	12VDC
AC Voltage (with adapter)	100-240VAC	100-240VAC
Maximum Speed	3600RPM	3600RPM
Water Vapor Capacity	Can pump liquid	Can pump liquid
Max. Inlet Pressure	1mbar to 1.5 bar	1mbar to 1.5 bar
Max.Outlet Pressure	0.6barg	0.6barg
Noise Level	56/53dB(A)	56/53dB(A)
Weight(without cooling fan)	1.1kg	1.1kg
Weight(with cooling fan)	1.7kg	1.7kg
Dimensions	182*88*94mm	182*88*94mm
Dimensions(with case)	185*132*117mm	185*132*117mm
Inlet/Outlet Connection	G1/8"	G1/8"
Cooling System	Air-Cooled	Air-Cooled
Ambient Temperature	-40C° to 50 C°	-40C° to 50 C°

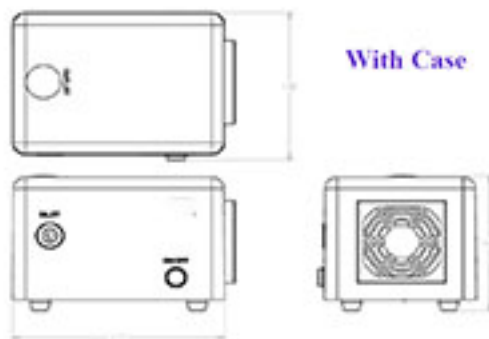
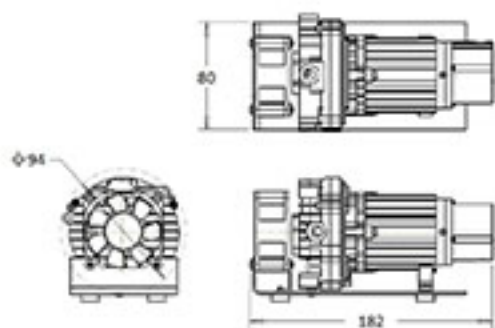
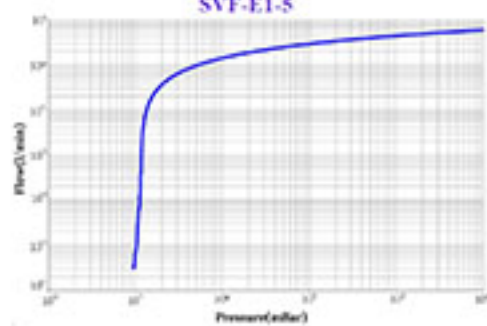
Dry Vacuum Pump DSV-5



SVF-E0-5



SVF-E1-5



纬洋机电
weiyang

dry vacuum pump
oil-free compressor

catalog

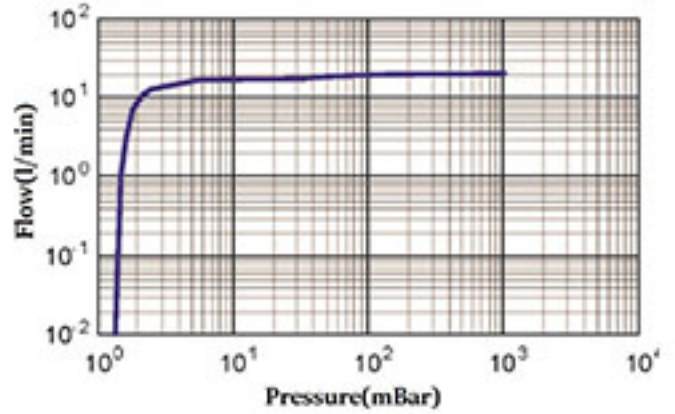


Shanghai Weiyang M&E co., Ltd

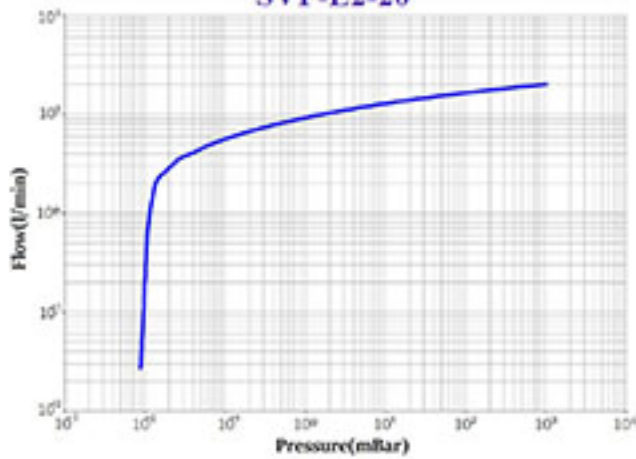
Dry Vacuum Pump DSV-20



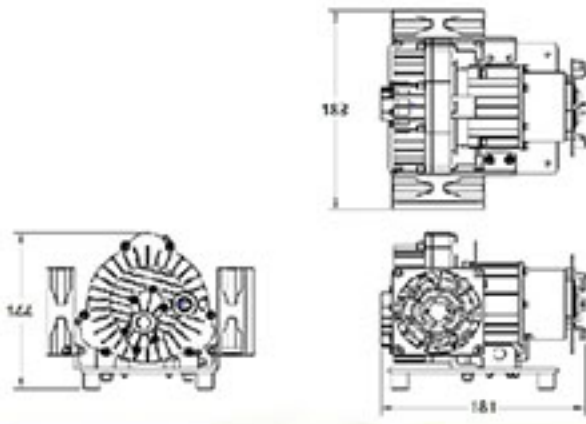
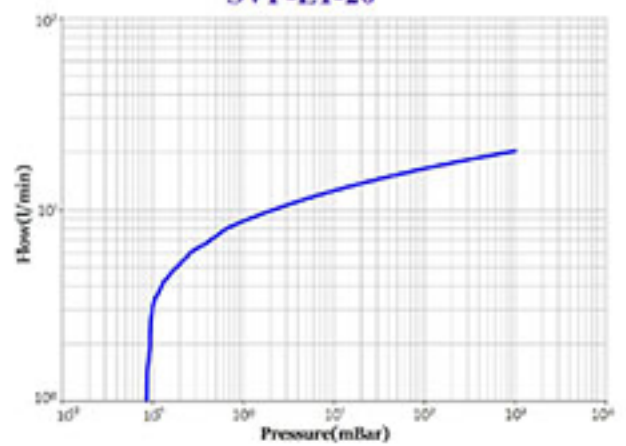
SVF-E0-20



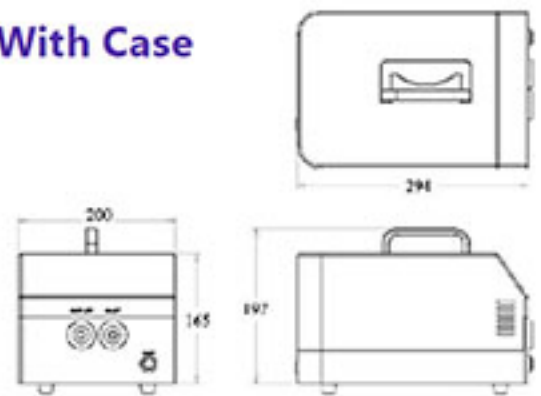
SVF-E2-20



SVF-E1-20



With Case



Dry Vacuum Pump DSV-20

Feature:

Patent Scroll Technology

100% Oil-free

Maintenance free

Ultimate Vacuum 0.005mbar

Applications

Analytical instrumentation

laboratories, backing pump for turbo pumps

practically in all areas in which

clean vacuum is needed



Model	DSV-E0-20	DSV-E1-20	DSV-E2-20
Pumping Speed	20L/min	20L/min	20L/min
Ultimate Pressure	1mbar(100pa)	0.1mbar(10pa)	0.01mbar(1pa)
Motor Power	70W	70W	70W
Motor Type	Brushless DC Motor	Brushless DC Motor	Brushless DC Motor
DC Voltage	24VDC	24VDC	24VDC
AC Voltage (with adapter)	100-240VAC	100-240VAC	100-240VAC
Maximum Speed	4500RPM	4500RPM	4500RPM
Water Vapor Capacity	Can pump liquid	Can pump liquid	Can pump liquid
Max. Inlet Pressure	1mbar to 1.5 bar	1mbar to 1.5 bar	1mbar to 1.5 bar
Max.Outlet Pressure	0.6barg	0.6barg	0.6barg
Noise Level	58/55dB(A)	58/55dB(A)	58/55dB(A)
Weight(without cooling fan)	2.1kg	2.1kg	2.1kg
Weight(with cooling fan)	4.5kg	4.5kg	4.5kg
Dimensions	181*183*144mm	181*183*144mm	181*183*144mm
Dimensions(with case)	294*200*165mm	294*200*165mm	294*200*165mm
Inlet/Outlet Connection	G1/4'	G1/4'	G1/4'
Cooling System	Air-Cooled	Air-Cooled	Air-Cooled
Ambient Temperature	-40C° to 50 C°	-40C° to 50 C°	-40C° to 50 C°

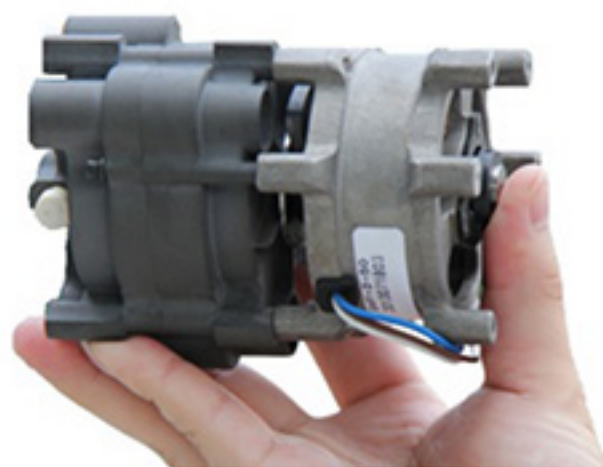
Dry Vacuum Pump DSV-50

Feature:

Patent Scroll Technology
100% Oil-free
Maintenance free
Ultimate Vacuum 0.4mbar

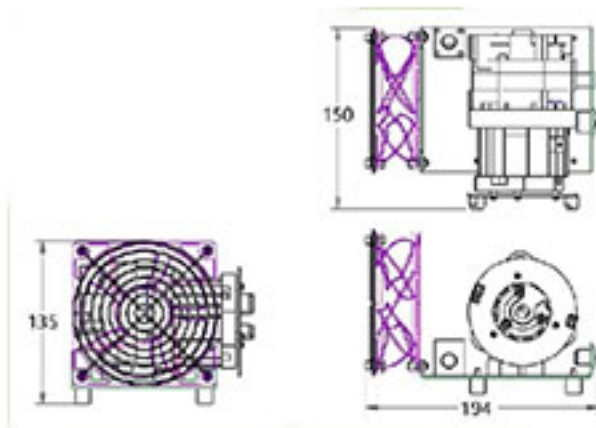
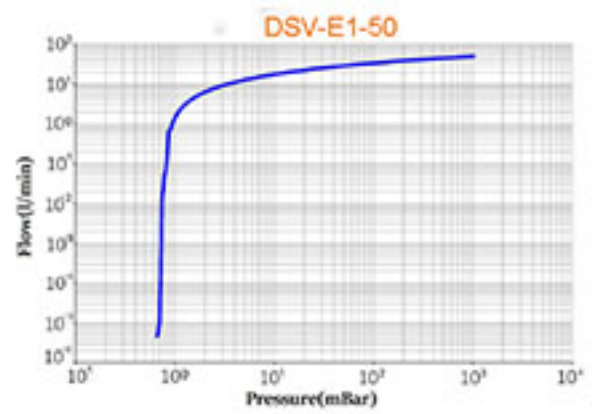
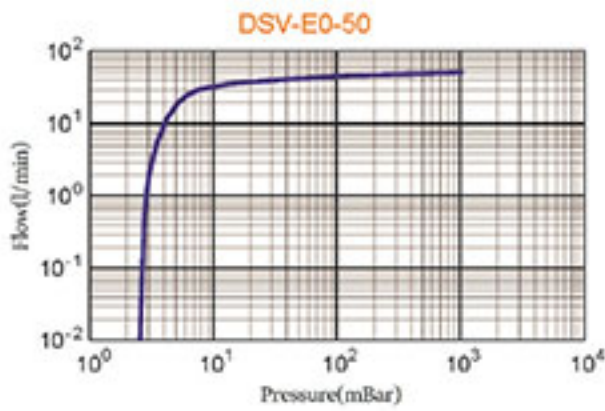
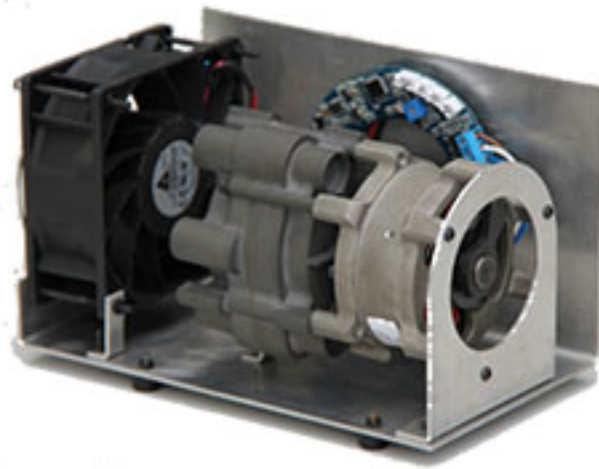
Applications

Analytical instrumentation
laboratories, backing pump for turbo pumps
practically in all areas in which
clean vacuum is needed



Model	DSV-E0-50	DSV-E1-50
Pumping Speed	50L/min	50L/min
Ultimate Pressure	1mbar(100pa)	0.5mbar(50pa)
Motor Power	120W	120W
Motor Type	Brushless DC Motor	Brushless DC Motor
DC Voltage	24VDC	24VDC
AC Voltage (with adapter)	100-240VAC	100-240VAC
Maximum Speed	5300RPM	5300RPM
Water Vapor Capacity	Can pump liquid	Can pump liquid
Max. Inlet Pressure	1mbar to 1.5 bar	1mbar to 1.5 bar
Max.Outlet Pressure	0.6barg	0.6barg
Noise Level	60/56dB(A)	60/56dB(A)
Weight	1.9kg	1.9kg
Weight(with case)	2.8kg	2.8kg
Dimensions	150*194*130mm	150*194*130mm
Dimensions(with case)	230*150*183mm	230*150*183mm
Inlet/Outlet Connection	G1/4'	G1/4'
Cooling System	Air-Cooled	Air-Cooled
Ambient Temperature	-40C° to 50 C°	-40C° to 50 C°

Dry Vacuum Pump DSV-50



With case



Dry Vacuum Pump DSV-100

Feature:

Patent Scroll Technology
100% Oil-free
Maintenance free
Ultimate Vacuum 0.01mbar

Applications

Analytical instrumentation
laboratories, backing pump for turbo pumps
practically in all areas in which
clean vacuum is needed



Model	DSV-E0-100	DSV-E1-100	DSV-E2-100
Pumping Speed	100L/min	100L/min	100L/min
Ultimate Pressure	1mbar(100pa)	0.1mbar(10pa)	0.03mbar(100pa)
Motor Power	350W	350W	350W
Motor Type	Brushless DC Motor	Brushless DC Motor	Brushless DC Motor
DC Voltage	48VDC	48VDC	48VDC
AC Voltage (with adapter)	100-240VAC	100-240VAC	100-240VAC
Maximum Speed	4000RPM	4000RPM	4000RPM
Water Vapor Capacity	Can pump liquid	Can pump liquid	Can pump liquid
Max. Inlet Pressure	1mbar to 1.5 bar	1mbar to 1.5 bar	1mbar to 1.5 bar
Max.Outlet Pressure	1.0barg	1.0barg	1.0barg
Noise Level (no case/with case)	60/56dB(A)	60/56dB(A)	60/56dB(A)
Weight	6.7kg	6.7kg	6.7kg
Weight(with case)	7.8kg	7.8kg	7.8kg
Dimensions	324*225*175mm	324*225*175mm	324*225*175mm
Dimensions(with case)	394*236*189mm	394*236*189mm	394*236*189mm
Inlet/Outlet Connection	KF-25 or G3/8'	KF-25 or G3/8'	KF-25 or G3/8'
Cooling System	Air-Cooled	Air-Cooled	Air-Cooled
Ambient Temperature	-40C° to 50 C°	-40C° to 50 C°	-40C° to 50 C°

Dry Vacuum Pump DSV-500/1000

Feature:

Scroll Technology
100% Oil-free
Maintenance free
Ultimate Vacuum 0.01mbar

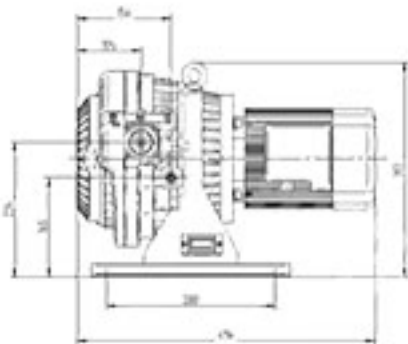
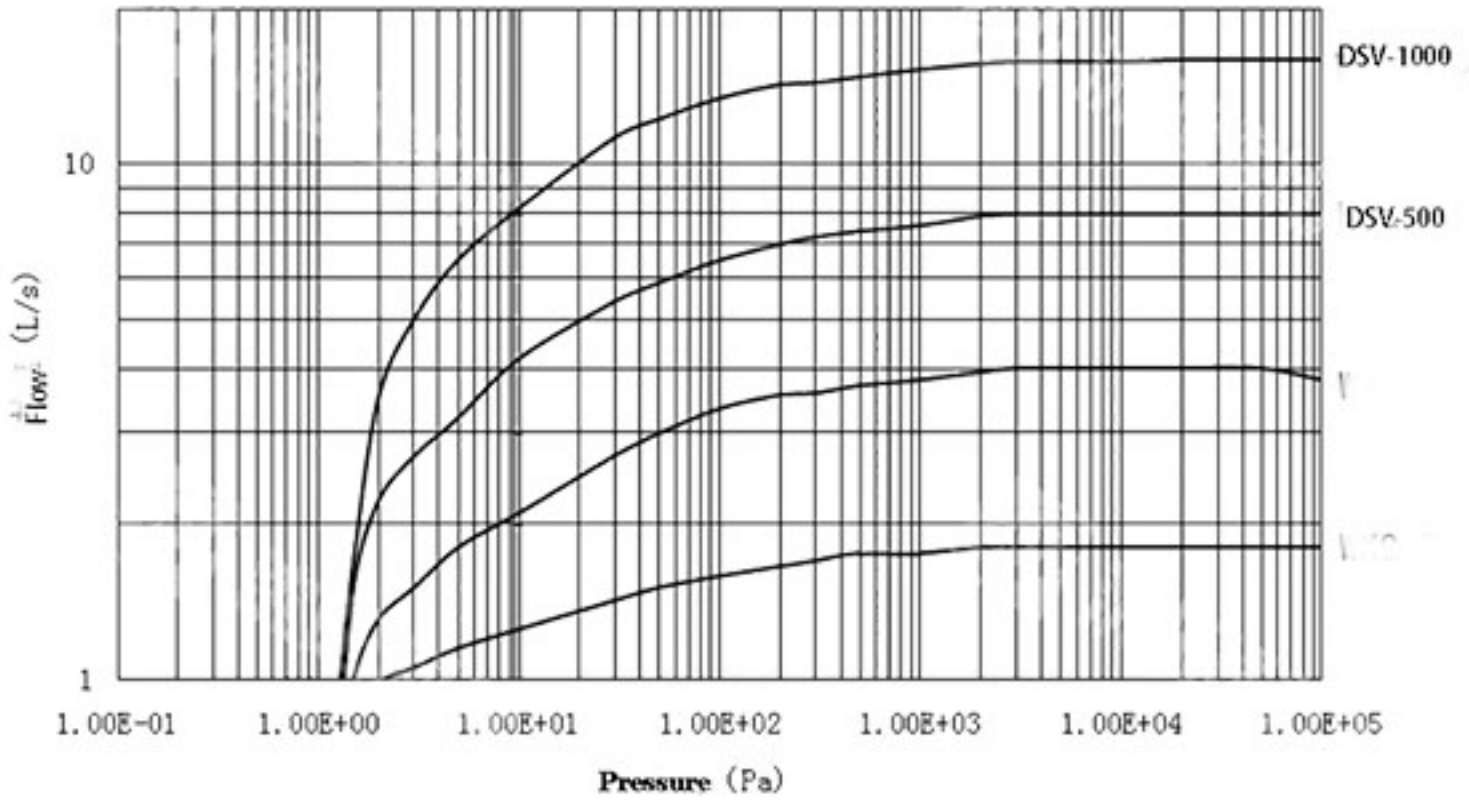
Applications

Analytical instrumentation
laboratories, backing pump for turbo pumps
practically in all areas in which
clean vacuum is needed

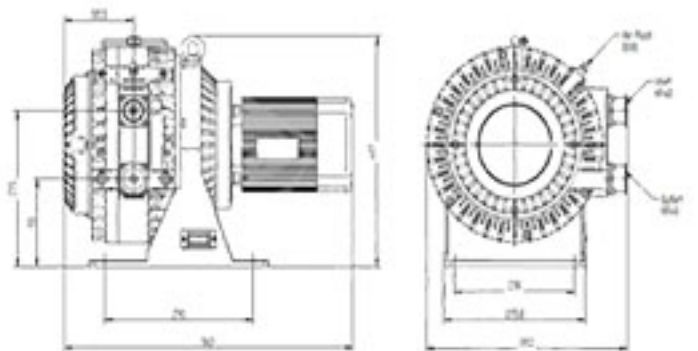


Model	DSV-500	DSV-1000
Pumping Speed	500L/min	1000L/min
Ultimate Pressure	3pa	1pa
Motor Power	0.75kw	1.5kw
Motor Type	Single -phase motor	Single-phase motor
AC Voltage (with adapter)	220VAC	220VAC
Maximum Speed	1450RPM	1450RPM
Max. Inlet Pressure	1mbar to 1.5 bar	1mbar to 1.5 bar
Max.Outlet Pressure	1.0barg	1.0barg
Noise Level (no case/with case)	65dB(A)	68dB(A)
Weight	41kg	41kg
Dimensions	494*333*357mm	563*392*407mm
Inlet/Outlet Connection	KF-40	KF-40
Cooling System	Air-Cooled	Air-Cooled
Ambient Temperature	-40C° to 50 C°	-40C° to 50 C°

Dry Vacuum Pump DSV-500/1000



DSV-500



DSV-1000